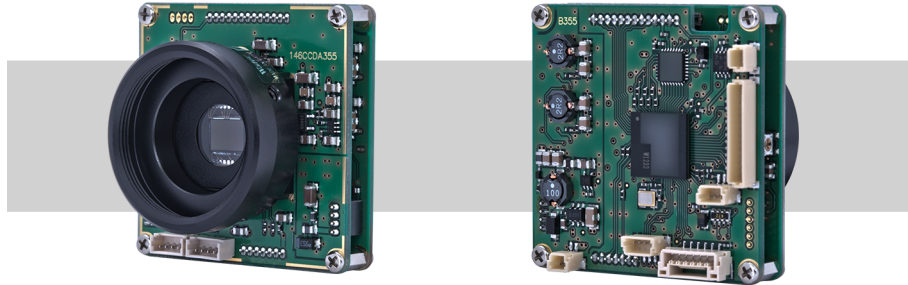


WAT-910BD 1/2" NIR Sensitivity Board Camera

Achieves minimum illumination performance by 1/2-inch high sensitive CCD sensor and unique circuit design

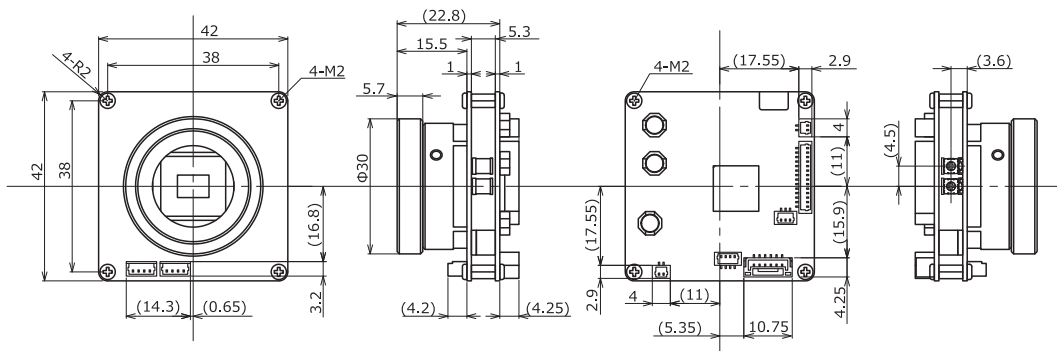


*NO CE & FCC

Key features

- Min. illumination 0.0000025 lx F1.4 (AGC HIGH=41dB, Shutter=x256, $\gamma=0.35$, NR=ON)
- High quality image without noise under poor light condition
- 3DNR, digital wide dynamic range and slow shutter
- Motion detection, white blemish correction and back light compensation
- Advanced setting available by OSD (On Screen Display) through an optional remote control and SPI communication

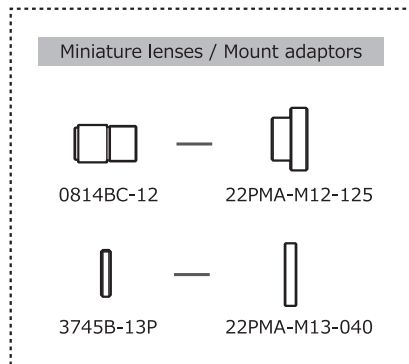
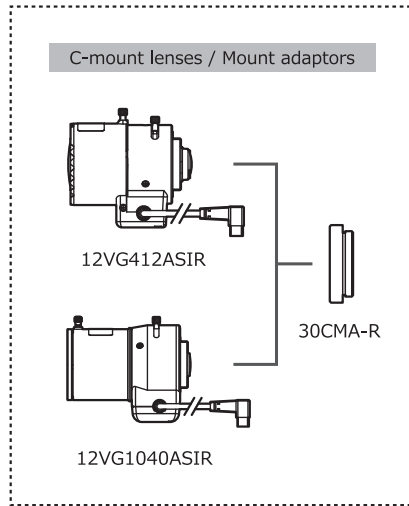
Dimensions



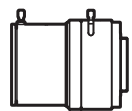
Specifications

Video standard		EIA	CCIR
Pick-up element		1/2 inch interline transfer CCD image sensor	
Number of effective pixels		768(H) × 494(V)	752(H) × 582(V)
Unit cell size		8.4μm(H) × 9.8μm(V)	8.6μm(H) × 8.3μm(V)
Synchronizing system		Internal	
Scanning system		2:1 interlace	
Video output		Composite video, 1.0 V(p-p) 75Ω (Unbalanced)	
Resolution (H)		More than 570TVL (Center)	
Minimum illumination		0.0000025 lx F1.4 (AGC HIGH=41dB, Shutter=x256, $\gamma=0.35$, NR=ON)	
S/N		More than 52dB (AGC OFF=6dB, $\gamma=1.0$, Shutter=x256, NR=ON)	
Function settings		OSD : Remote controller, Communication : SPI	
AE mode	Fixed	x2, x4, x8, x16, x32, x64, x128, x256 (field)	
		1/60, 1/100 sec.	1/50, 1/120 sec.
AE mode	EI	1/250, 1/500, 1/1000, 1/2000, 1/5000, 1/10000, 1/100000 sec.	
		1/60 - 1/100000 sec.	1/50 - 1/100000 sec.
AGC	ON	x256 - 1/100000 sec.	
	OFF	6 - 30dB (LOW), 6 - 34.5dB (MID), 6 - 41dB (HIGH)	
MGC	ON	6 - 41dB (1dB step)	
MGC	OFF	-	
Gamma characteristics		$\gamma=0.05 - 1.0$ (0.05 step), USER (S-curve)	
Video level		95IRE	92.5IRE
Noise reduction		3DNR OFF/ON Level adjustable	
Wide dynamic range		D-WDR OFF/ON Level adjustable	
Lens iris		Video/DC (EIAJ, Auto-select)	
Back light compensation		BLC, HSBLC	
White blemish correction		Up to 64 pixels	
Sharpness		Level adjustable	
Defog		-	
Digital zoom		ZOOM (x1 - x32), PAN/TILT	
Privacy mask		-	
Mirror image		OFF, V-FLIP, H-FLIP, HV-FLIP	
Freeze		OFF/ON	
Motion detection		OFF/ON 4areas arbitrarily configurable	
Neg.image		OFF/ON	
Interface		14P connector (Digital video out), 2P connector (Composite Video), 2P connector (Power in), 4P connector (DC iris), 4P connector (Video iris), Remote control (RC-01), 4P connector (SPI), 3P connector (GPIO)	
Power supply		DC+12V±10%	
Power consumption		1.32W (110mA)	
Operating temperature		-10 - +50°C	
Storage temperature		-30 - +70°C	
Operating / Storage humidity		95% RH or less (Without condensation)	
Lens mount		CS mount	
Weight		Approx. 40g	
Accessories		Hex. Wrench, Cable (6 pcs)	

Accessories Options

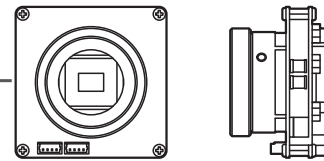


CS-mount lenses



※Not in our lineup

WAT-910BD



IRIS (VIDEO / DC)

