

# WAT-600CX 1/3" One-cable System High Sensitivity Camera

Coaxial video transmission system makes CCTV installation much easier

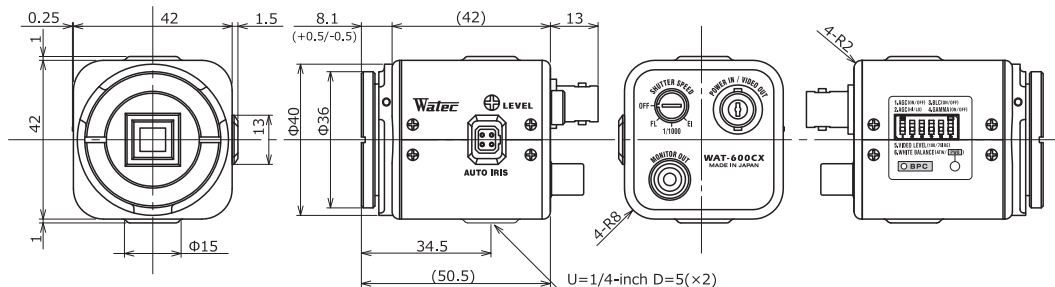


\*NO CE&FCC

## Key features

- 1/3-inch CCD sensor with high sensitivity 0.02 lx F1.2 and resolution 540TVL
- RCA video out for checking image at construction stage
- Color-rollingless AWB mode under fluorescent light
- Flicker suppression electric Iris controls flicker and exposure at the same time
- Selectable white balance and video level, back light compensation and white blemish correction

## Dimensions

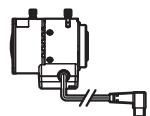


## Specifications

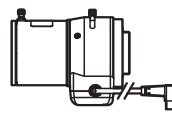
Video standard		NTSC	PAL
Pick-up element		1/3 inch interline transfer CCD image sensor	
Number of effective pixels		768(H) × 494(V)	752(H) × 582(V)
Unit cell size		6.35μm(H) × 7.4μm(V)	6.5μm(H) × 6.25μm(V)
Imaging system		Ye, Cy, Mg, and G complementary color mosaic filters on chip	
Synchronizing system		Internal	
Scanning system		2:1 interlace	
Video outputs		Composite: 1.0 V(p-p) 75Ω (Unbalanced) VIDEO OUT / POWER IN	
Resolution (H)		More than 540TVL (Center)	
Minimum illumination		0.02 lx F1.2 (AGC HIGH=38dB, Shutter=OFF)	
S/N		More than 50dB (AGC OFF=0dB, γ=1.0)	
Function settings		DIP Switch	
AE mode	Fixed	1/60, 1/100 sec.	1/50, 1/120 sec.
	EI	1/60 - 1/100000 sec.	1/50 - 1/100000 sec.
White balance		ATW, PWB	
AGC	ON	0 - 32dB (LOW), 0 - 38dB (HIGH)	
	OFF	0dB	
MGC		-	
Day/Night		-	
Gamma characteristics		γ≈0.45, 1.0	
Video level		75IRE, 100IRE	
Noise reduction		-	
Wide dynamic range		-	
Lens iris		Video / DC (EIA), Auto-select	
Back light compensation		BLC	
White blemish correction		Up to 32 pixels	
Sharpness		-	
Defog		-	
Digital zoom		-	
Privacy mask		-	
Mirror image		-	
Freeze		-	
Motion detection		-	
Neg.image		-	
Interface		BNC (Composite Video, Power in), RCA (Composite Video)	
Power supply		DC+15V	
Power consumption		3.3W (220mA) ※3C-2V 150m	
Operating temperature		-10 - +50°C	
Storage temperature		-30 - +70°C	
Operating / Storage humidity		95% RH or less (Without condensation)	
Lens mount		CS mount (Back focus adjustable)	
Cable length		3C-2V (Max. 150m) ※Max. 100m with auto iris lens	
Weight		Approx. 140g	
Accessories		Receiver (WAT-400RX), Power supply adaptor, DC conversion plug, AIC-G (Iris plug), Hex. wrench	

Accessories
   Options

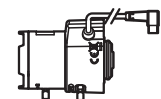
**CS-mount lenses**



13VG308ASIR II



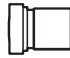

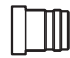






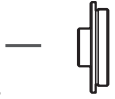
13VG1040ASIR



TG4Z2813FCS-IR-2

**Miniature lenses / Mount adaptors**

 2520BC-12	 0814BC-12
 2920BC-12	 1220BC-12
 3820BC-12	 M1616BC-12
 0625BC-12	 2540EX014-M12
 0820BC-12	

  
30.5MMA-M12-120

