

This Operation Manual covers safety, camera functions, installation and the correct operating procedure for the WAT-231S2. First, we ask you to read this Operation Manual thoroughly, then install and operate the WAT-231S2 as advised. In addition, for future reference, we also advise safekeeping of this manual.

Please contact the distributor or dealer from which the WAT-231S2 was purchased, if you do not understand the installation, operation or safety instructions laid out in this manual. Not understanding the contents of the Operation Manual sufficiently may cause damage to the camera.

Guide to the Safety Symbols

The definitions of the symbols used in this operation manual are:

When you do not adhere to or take notice of the "Danger" sign, it may lead to a serious accident such as death or injury caused by fire or electric shock.

When you do not adhere to or take notice of the "Warning" sign, it may cause severe damage such as a physical injury.

When you do not adhere to or take notice of the "Caution" sign, it may incur injury and cause damage to peripheral objects in the immediate surroundings.

Cautions for Safety

The WAT-231S2 is designed to be used safely; however, it may lead to a physical accident caused by fire and electric shock if not used correctly. Therefore, please keep and read the "Cautions for safety" below for protection against accidents.

Do not disassemble and/or modify the WAT-231S2.
Do not operate the WAT-231S2 with wet hands.

Use a stabilized power adaptor designed for DC+12V±10%, with a current capacity of more than 250mA for the WAT-902H2/3 SUPREME.
 The recommended voltage is DC+12V±10%
Do not expose the WAT-231S2 to wetness or high moisture conditions.
 The WAT-231S2 is designed and approved for indoor use only. The WAT-231S2 is not water-resistant or waterproof. If the location of the camera is outdoors or in an outdoor like environment, we recommend that you use an outdoor camera housing.
Protect the WAT-231S2 from condensation.
 Keep the WAT-231S2 dry at all times during storage and operation.
 Should the camera not work properly, switch off the power immediately. Then check the camera according to the "Problems and Trouble shooting" section.

Avoid the striking of hard objects or dropping the WAT-231S2.
 The WAT-231S2 uses high quality electrical parts and precision components.
Do not connect any power supply directly to the video out terminal of the unit.
 Do not connect the WAT-231S2 with any monitor using a video/power single transmission terminal. The WAT-231S2 is not designed for use with this type of equipment. We also advise you to read the operation manual of the monitor you plan to use before any connections are made.
Do not install the WAT-231S2 in a position subject to direct sunlight.
 Sunlight shining directly onto the WAT-231S2 lens can cause damage to the CCD.
Select a stable place for installation of the WAT-231S2.
 Use a support of durable strength around an installation position on a ceiling or wall when a camera stand or tripod is used.
Do not move the WAT-231S2 with the cables connected.
 Before moving the WAT-231S2, always remove the video cable and power cable from the rear of the camera first.

Avoid using the WAT-231S2 near any strong electromagnetic field.
 After installing into main equipment, if the WAT-231S2 is exposed to electromagnetic waves causing the monitored image to become distorted, we recommend the camera be shielded by appropriate protective casing.

Problems and Trouble Shooting

If any of the following problems occur when using the WAT-231S2,

- An optimal picture cannot be obtained, after checking that all the cables and connections are correctly in place
- Smoke or any unusual odor emerges from the WAT-231S2.
- An object becomes embedded or a quantity of liquid seeps into the camera housing
- More than the recommended voltage or/and amperage has been applied to the WAT-231S2 by mistake
- Anything unusual occurring to any equipment connected to the WAT-231S2.

Disconnect the camera immediately according to the following procedures:

- Switch off the main power supply to the camera.
- Remove the power and video cables connected to the WAT-231S2.
- Contact the distributor or dealer from which the WAT-231S2 was purchased.

About EMC

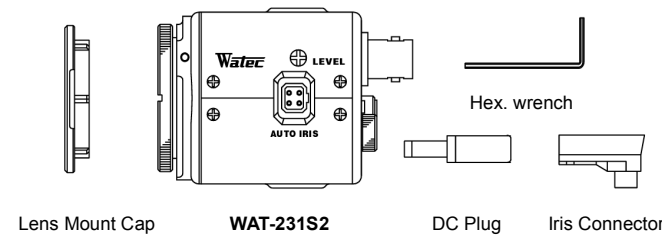
The WAT-231S2 is in conformity with EMC test standards carried out by authorized organizations in Japan.

NTSC FCC Part15 class B
 P A L EN61000-6-3/EN50130-4

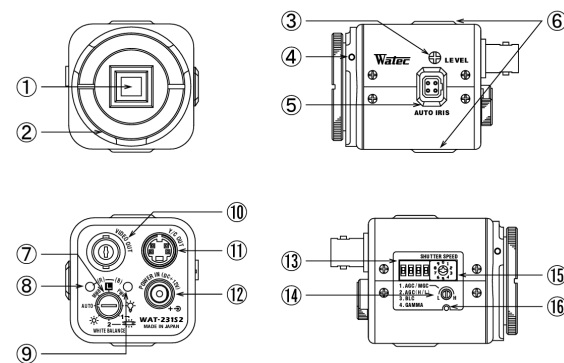
Do not modify the WAT-231S2. A modified camera may not conform to EMC test standards.

Contents

Using the contents figures below, check to make sure all parts are present before use.



Description of Parts

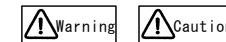


- CCD FRONT FACE**
 - The light receiving face of the CCD camera (Dirt, water or oil deposits on the CCD will cause an unclear picture on the monitor. Attach the lens cap to protect the lens and CCD from contamination and damage.)
- LENS MOUNT**
 - Mount for the lens (Thread type)
- IRIS LEVEL VOLUME**
 - By controlling the volume, the iris level of a DC iris lens can be adjusted.
- FOCUSING ADJUSTMENT SCREWS**
 - There are 3 hex. adjustment screws each placed at intervals of 120° for fine focusing of the lens.

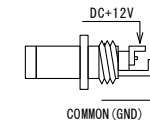
- AUTO-IRIS SOCKET**
 - This socket is for a video or DC auto-iris lens cable connector. (Video/DC: Auto selected by the camera)
- TRIPOD MOUNTING SCREW HOLES**
 - Mounting holes for stands. The size of these threads are 1/4", 20 threads, 4.5±0.2mm, which is the same as any standard camera tripod (U1/4").
- WHITE BALANCE MODE SELECTOR**
 - The selector for the white balance mode.
- PUSH BUTTON (R) (MWB mode)**
 - The button for adjustment of the white balance to increase the red hue of a monitored image using M.W.B mode.
- PUSH BUTTON (B) (MWB mode)**
 - The button for adjustment of the white balance to increase the blue hue of a monitored image using MWB mode.
- VIDEO OUT (BNC)**
 - The terminal for composite video signal output
- Y/C OUT**
 - The terminal for Y/C signal output
- POWER IN**
 - The terminal designed for the DC-plug of the power adaptor
- FUNCTION SWITCHES**
 - Functional switches for setting AGC, BLC and gamma control.
- MGC VOLUME ADJUSTING**
 - The volume for setting manual gain control
- AE MODE CONTROL**
 - The switch for the electronic shutter mode control according to the object being monitored.
- WHITE BLEMISH CORRECTION BUTTON**
 - The button for correction of white blemish.

Power Supply

Use a stabilized power adaptor designed for DC+12V±10%, with a current capacity of more than 250mA.
 Use the optional DC plug if the shape or polarity of the DC plug of the power adaptor to be used is not compatible with the camera (See the drawing on the right below).



The wiring on the connector must be exact. Be careful not to touch the other terminal while wiring. Protect the wiring portion by using insulation tape after wiring. If the above care and attention is not adhered to, damage to the WAT-231S2 and power adaptor may occur and may also cause fire.



Auto-iris Lens

Before connecting the auto-iris lens, please make sure that the pin configuration is correct by checking with the following table. If the configuration of your iris connector is different from the following, the plug and pins will need to be rewired.

Pin No.	EIAJ Video Auto-iris Lens Arrangement	EIAJ DC Auto-iris Lens Arrangement
①	Power	Control -
②	Not used	Control +
③	Iris signals	Drive +
④	Common (GND)	Drive -

Set-up and Operation

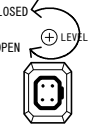
- Ensure that the power to the WAT-231S2 and the peripheral equipment is turned off before making any connections.
- Remove the lens mount cap from the WAT-231S2 and attach the CS-mount lens. Use the optional C-mount adaptor (34CMA-R) when a C-mount lens is used.
- Connect the iris control cable to ⑤AUTO-IRIS SOCKET on the WAT-231S2 when an auto-iris lens is being used.
- Connect ⑩VIDEO OUT on the WAT-231S2 with the monitor, using a coaxial cable with 75Ω impedance, such as an RG-58/U or an RG-6/U. If the monitor has an S-terminal, high resolution imaging is possible by connecting with ⑪Y/C OUT.
 ※The ⑪Y/C OUT can be used together with the ⑩VIDEO OUT.
 ※Select a monitor with the same television system as the WAT-231S2 NTSC or PAL. A monitor with more than 600TV lines is recommended.

- Insert the power plug of the power adaptor to ⑫POWER IN on the back panel of the WAT-231S2. Confirm that the power adaptor is not connected to the power supply before insertion of the power plug into ⑫POWER IN.
- Turn on the power to the WAT-231S2, monitor and all other allied equipment. When a picture cannot be obtained on the monitor, or a problem occurs, check and follow the procedure mentioned in the 【Problems and Trouble Shooting】 section.
- After following the procedure below and the picture is still out of focus, open the iris fully and loosen ④FOCUSING ADJUSTMENT SCREWS with the hex. wrench and move the lens forwards until a clear picture is obtained.

Manual Lens	Adjust the focus and iris to the best position on the lens.
Video Auto-iris Lens	Adjust the focus on the lens.
DC Auto-iris Lens	Adjust the iris level on the camera, then adjust the focus on the lens. See below.

Iris Level Adjustment (for DC auto-iris lenses only)

Adjust ③IRIS LEVEL VOLUME placed on the side of the unit until an acceptable light level is attained. No change will occur if a video iris lens or manual iris lens is fitted.



- Select any required shutter speed by the ⑮AE MODE CONTROL to one of its 10 positions. (Shutter mode is set to 8 upon shipment)

No.	Mode	Shutter Speeds (Sec.)	
		NTSC	PAL
0	OFF	1/60	1/50
1	FL	1/100	1/120
2	ES	1/250	
3	ES	1/500	
4	ES	1/1000	
5	ES	1/2000	
6	ES	1/4000	
7	ES	1/10000	
8	EI: OFF	1/60-1/100000	1/50-1/100000
9	EI: FL		

AE Mode	Effect	
OFF	Fixes the shutter speed to NTSC: 1/60, PAL: 1/50.	
FL	Reduces the flickering phenomena occurring on the monitor screen caused by fluorescent or mercury lamps.	
ES	Fixes the shutter speed in a range between 1/250-1/10000. (6 steps)	
EI	OFF	Automatically selects the shutter speed according to the lighting conditions, retaining the proper exposure mode. (Electronic Iris)
	FL	For electronic iris reducing the flickering phenomena occurring on the monitor screen caused by fluorescent or mercury lamps.

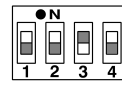
※An intense light may leave a trail on the screen longitude. This smearing is a natural phenomenon and is not due to equipment failure or fault.

- Select any required white balance mode by ⑦WHITE BALANCE MODE SELECTOR. (White balance mode is set to AUTO upon shipment)



Mode	Name	Effect
AUTO	Auto-tracking	Automatically follows and adjusts to the changing color temperature of the illumination.
MWB	Manual	Manual adjustment using ⑧⑨PUSH BUTTON(R)(B) as required.
PWB	Push-lock	Adjusted with ⑨PUSH BUTTON(B) according to the color temperature of the environment. As long as (B)button is pressed, the color temperature is adjusted according to the environment. As soon as the (B)button is released, the color temperature will be fixed at that setting.
	Lock	To lock your manually adjusted color temperature settings.
	Incandescent (=3200K)	Color correction to give natural color renditions under incandescent lighting.
	Fluorescent 1 (=4300K)	Color correction to give natural color renditions under reddish fluorescent light.
	Fluorescent 2 (=5100K)	Color correction to give natural color renditions under bluish fluorescent light.
	Sunlight (=6300K)	Used in sunlight to retain white balance.

- 10) Set the ⑬FUNCTION SWITCHES according to your requirements.



Switch	Setting	Effective Condition (Example)	Factory Settings
1. AGC	ON	<ul style="list-style-type: none"> When sensitivity is more important than the SN ratio. When an auto iris lens can not be used for general surveillance purposes. 	✓
	OFF [MGC]	<ul style="list-style-type: none"> Increase the MGC in a low light environment when object illumination is important. Lower the gain control for a clearer picture with less noise. 	
2. AGC	ON [HI]	<ul style="list-style-type: none"> When sensitivity is more important than the SN ratio 	✓
	OFF [LO]	<ul style="list-style-type: none"> When SN ratio is important and AGC is also required. 	
3. BLC	ON	<ul style="list-style-type: none"> When the picture of the monitored object is silhouetted due to strong lighting from above or behind. 	
	OFF	<ul style="list-style-type: none"> When the illumination differences between a monitored object is narrow. 	✓
4. Gamma correction	ON	<ul style="list-style-type: none"> Applicable to a general surveillance monitoring system 	✓
	OFF	<ul style="list-style-type: none"> When gamma correction is not required for image processing 	

- 11) Set the gain to the required environment by ⑭MGC VOLUME ADJUSTING. Manually adjusted in a range between 0 to 32dB. In a low light environment, when illumination of the object is important, increase the manual gain. Lower the gain control for a clearer picture with less noise.

- 12) Correction of white blemish by ⑮WHITE BLEMISH CORRECTION BUTTON. The WAT-231S2 is manufactured using high-grade CCD devices that are selected by tough standards by the manufacturer. However, it is impossible to prevent the white blemishes from occurring after shipment because the white blemish phenomena can be caused by cosmic rays. The WAT-231S2 has a white blemish correction circuit to help control the white blemish phenomena. Correct according to the following procedures, if white blemishes are present.

PROCEDURE

1. Completely cover the lens to prevent light entering.
2. Set to MWB or PWB by ⑦WHITE BALANCE MODE SELECTOR
3. Set to AGC ON by ⑬FUNCTION SWITCHES
4. Press the ⑮WHITE BLEMISH CORRECTION BUTTON using a fine stick.
5. After 5 seconds, the white blemishes are automatically detected, and then recorded to the camera.

※Make sure that the lens is completely shielded from light before correction of the white blemishes. If the lens is not covered properly and light can enter into the lens on to the CCD face, the correction of the white blemish may not be detected correctly.

※Make sure that ⑦WHITE BALANCE MODE SELECTOR "MWB or PWB" is selected. If any other position is selected; the data cannot be saved to the camera.

Options

To purchase these options, please contact the distributor or dealer from which you purchased the WAT-231S2.



C-mount Adaptor (34CMA-R)

This lens mount adaptor is used to convert a CS-mount to a C-mount.



Mini Stand (MS50)

A convenient stand for the WAT-231S2. With this stand, the camera can be adjusted to any desired angle.

Specifications

Model	WAT-231S2 (NTSC)	WAT-231S2 (PAL)	
Pick-up Element	1/3 inch interline transfer CCD image sensor		
Number of Total Pixels	811(H) × 508(V)	795(H) × 596(V)	
Number of Effective Pixels	768(H) × 494(V)	752(H) × 582(V)	
Unit Cell Size	6.35 μm(H) × 7.4 μm(V)	6.5 μm(H) × 6.25 μm(V)	
Imaging system	Ye, Cy, Mg, and G complementary color mosaic filters on chip		
Sync. System	Internal		
Scanning System	2:1 interlace		
Video Output	Composite, Y/C: 1.0 V(p-p) 75 Ω (Unbalanced)		
Resolution (H)	More than 540TVL (Center, Y/C)		
Minimum Illumination	0.02 lx. F1.2		
S/N	More than 50dB (MGC=0dB, γ=1.0)		
AE Mode	OFF	1/60 sec.	1/50 sec.
	FL	1/100 sec.	1/120 sec.
	ES	1/250, 1/500, 1/1000, 1/2000, 1/4000, 1/10000 sec.	
	EI: OFF EI: FL	1/60-1/100000 sec.	1/50-1/100000 sec.
White Balance	ATW, PWB, MWB, 3200K, 4300K, 5100K, 6300K		
AGC	HI: 0-38dB / LO: 0-32dB		
MGC	0-32dB		
Gamma Characteristics	γ ≈ 0.45(ON) / γ = 1.0(OFF)		
Lens-iris	Video / DC (EIAJ arrangement, Auto-select)		
Back Light Compensation	ON / OFF		
White blemish Correction	Up to 32 dots		
Power Supply	DC+12V ± 10%		
Power Consumption	1.92W (160mA)		
Operating Temperature	-10 – +50°C (Without condensation)		
Operating Humidity	Less than 95% RH		
Storage Temperature	-30 – +70°C (Without condensation)		
Storage Humidity	Less than 95% RH		
Lens Mount	CS-mount (Back focus adjustable)		
Size	44.5(W) × 44(H) × 64(D) (mm)		
Weight	Approx. 140g		

- Design and specifications are subject to change without notice.
- Watec is not responsible for any inconvenience or the attendant damages to the video and monitoring recording equipment caused by misuse, mis-operation or improper wiring of our equipment.
- If for any reason the WAT-231S2 does not work properly, or if you have any questions regarding installation or operation, please contact the distributor or dealer from which it was purchased.

Contact information

Watec Watec Co., Ltd.

Add.: 254-2 Nihonkoku, Daihoji, Tsuruoka-Shi,
Yamagata-Ken, 997-0017 Japan
TEL: +81-235-23-4400 FAX: +81-235-23-4409
Email: info-o@watec.co.jp
URL: http://www.watec.net

1453Z17-Y2000002