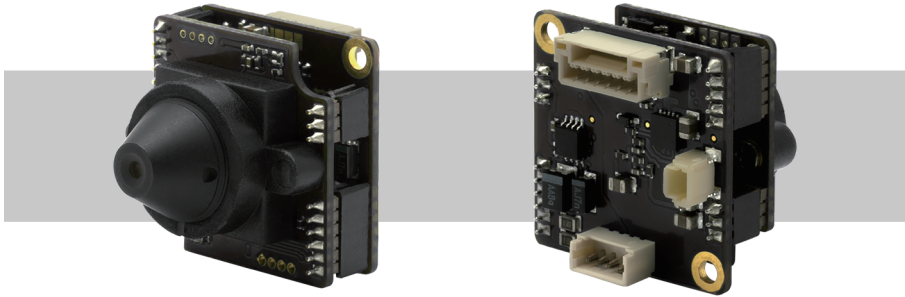


WAT-1100MBD (P3.3) 1/3.2" High Sensitivity Miniature Board Day/Night Camera

Day/Night board camera for general surveillance

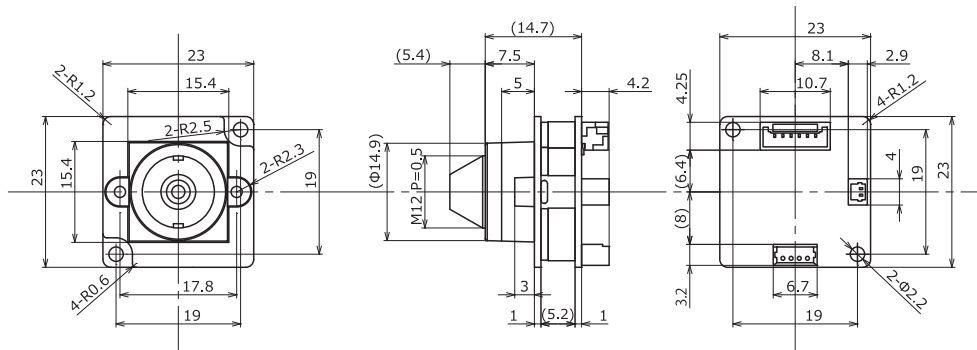


*NO CE & FCC

Key features

- Ultra-compact design only 23 x 23 x 25 mm
 - Wide dynamic range, ICR Mechaless Day/Night function
 - Advanced setting available by OSD (On Screen Display) through an optional controller
 - A dual-band pass filter allows the ability to view a scene with 850nm IR illumination at night
- ※Glass lenses and pinhole lens are not interchangeable

Dimensions



Specifications

Video standard	NTSC	PAL
Pick-up element	1/3.2 inch BSI CMOS image sensor	
Number of effective pixels	1280(H) × 960(V)	1280(H) × 924(V)
Unit cell size	3.5 μ m(H) × 3.5 μ m(V)	
Imaging system	RGB+W array mosaic filters on chip	
Synchronizing system	Internal	
Scanning system	Progressive	
Video output	Composite: 1.0 V(p-p) 75 Ω (Unbalanced)	
Resolution (H)	More than 750TVL (Center)	
Minimum illumination	0.009 lx F2.4 (AGC ON=54dB, Shutter=OFF)	
S/N	More than 55dB (AGC OFF=0dB, γ =1.0)	
Function settings	OSD : Remote controller	
AE mode	Fixed	1/60 sec.
		1/50 sec.
	EI	1/100, 1/120, 1/125, 1/250, 1/500, 1/1000, 1/2000, 1/4000, 1/8000, 1/10000, 1/20000, 1/50000, 1/100000 sec.
White balance	ATW, AWB, PWB, MWB, PRESET (5100K, 6300K)	
AGC	ON	0 - 54dB
	OFF	0dB
MGC	0 - 54dB (6dB step)	
Day/Night	ICR mechaless Auto, Manual	
Gamma characteristics	$\gamma \approx 0.45$	
Video level	Adjustable	
Noise reduction	2DNR OFF/ON Level adjustable	
Wide dynamic range	WDR OFF/ON Level adjustable, D-WDR OFF/ON Level adjustable	
Lens iris	DC	
Back light compensation	BLC, HSBLC	
White blemish correction	-	
Sharpness	Level adjustable	
Defog	OFF/ON Level adjustable	
Digital zoom	-	
Privacy mask	16 masks	
Mirror image	OFF, V-FLIP, H-FLIP, HV-FLIP	
Freeze	-	
Motion detection	-	
Neg.image	-	
Interface	4P connector (Composite Video, Power in), 2P connector (IR light ctl), Remote control (RC-01)	
Power supply	DC+5V - 12V	
Power consumption	0.6W/120mA (DC+5V), 0.72W/60mA (DC+12V)	
Operating temperature	-10 - +50 $^{\circ}$ C	
Storage temperature	-30 - +70 $^{\circ}$ C	
Operating / Storage humidity	95% RH or less (Without condensation)	
Lens mount	M12 P=0.5	
Standard lens	3324B-12P(A) (f3.3 F2.4)	
Weight	Approx. 8g	
Accessories	4P cable, 2P cable	

