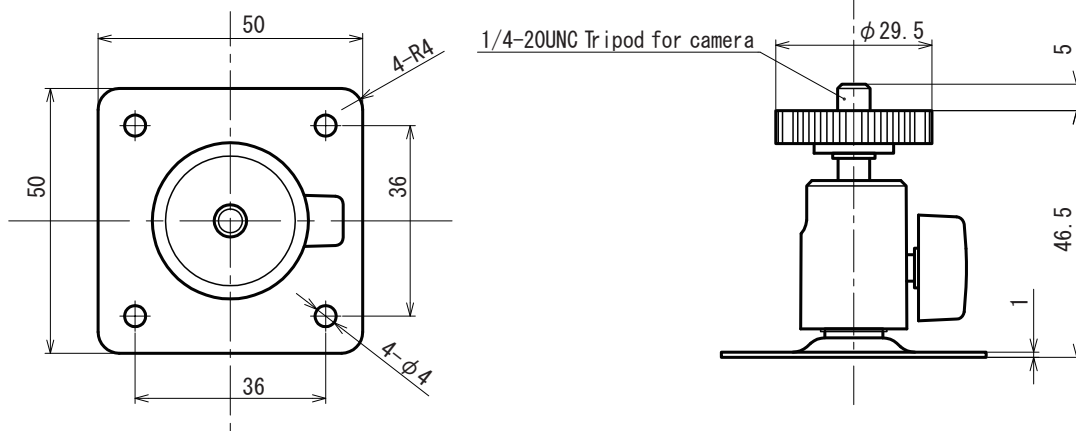


## SPECIFICATIONS

Model	MS50
Materials	Steel SPCC and Aluminium A2017, A6063
Camera screw	1/4-20UNC Tripod thread
Weight	Approx. 90g

※Design and specifications are subject to change without notice.

## DIMENSIONS (mm)



## MOVABLE RANGE

